

TOTAL TIMER

JSS25	DIGITAL TIMER	JSS25
--------------	----------------------	--------------

DIN-sized 72 × 72mm

Up/down diaply

Time ranges(0.01s~99h99min)



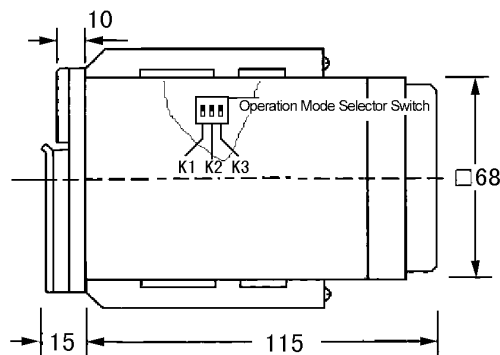
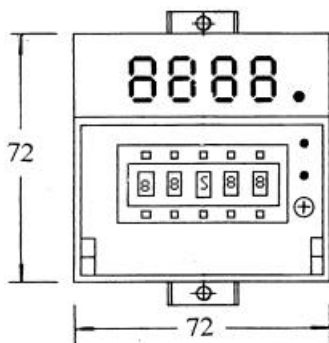
CHARACTERISTICS

Time ranges:

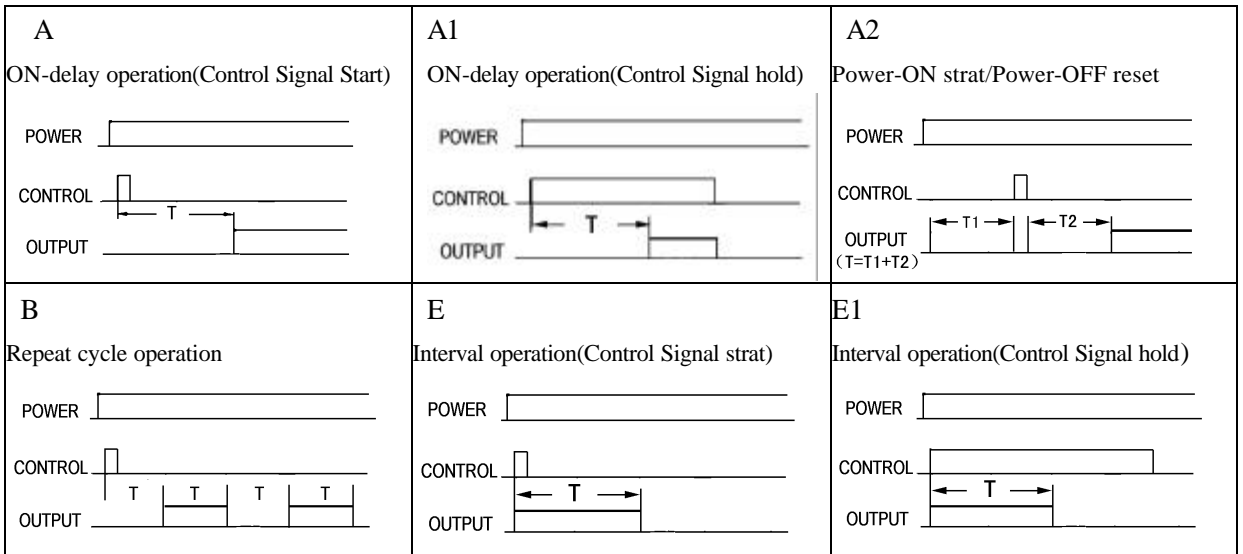
Select switch:	<u>h</u>	<u>h</u>	<u>m</u>	<u>m</u>	<u>s</u>	<u>s</u>
UP/DOWN	UP	DOWN	UP	DOWN	UP	DOWN
Time ranges:	1m-99h99m		1s-99m99s		0.01s-99.99s	

Supply voltage :	AC220V (50/60Hz)	Control output :	AC 250V 3A (Resistive)
Operating voltage range	Ue85% ~ 110%	Contact :	2c
Setting error :	0.01%+0.05s	Panel cutout :	68 × 68 mm
Ambient	Operating: -10 to 55	External power	DC 12v 20Ma(max)
Power consumption :	4VA	Output transior :	100mA 30V
Display:	Up/Down	Reset Timer:	Reset input: 20ms
Weight:	0.5 kg		Power down reset

DIMENSIONS

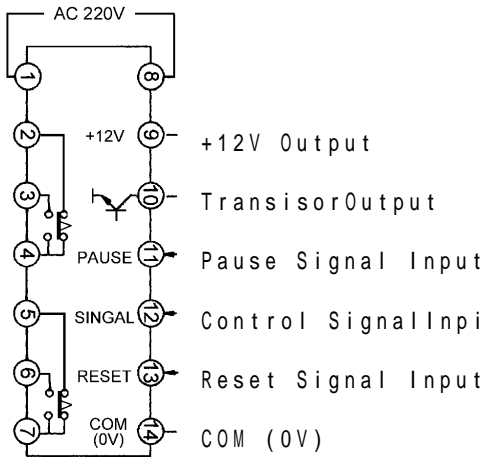


OPERATION MODE



CONNECTIONS

Operation Mode Selector Switch



MODE	FUNTION	K1	K2	K3
A	ON-delay operation (Control Signal Start)	OFF	OFF	OFF
A1	ON-delay operation (Control Signal Hold)	OFF	OFF	ON
A2	Power-ON Start / Power-OFF Reset	OFF	ON	OFF
B	Repeat Cycle Operation	OFF	ON	ON
E	Interval operation (Control Signal Start)	ON	OFF	OFF
E1	Interval operation (Control Signal Start)	ON	OFF	ON

* The Internal Unit Comes Out By Loosening The Internal Unit Fixing Screw.

** Leave Factory Is A2 MODE.